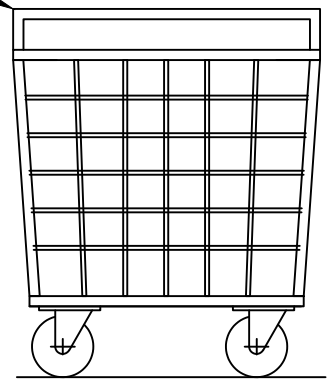
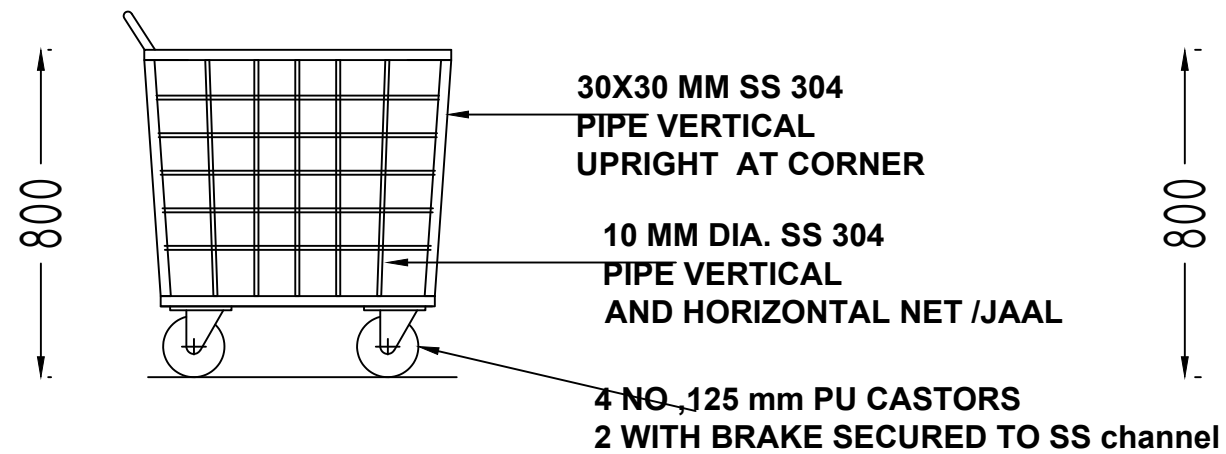
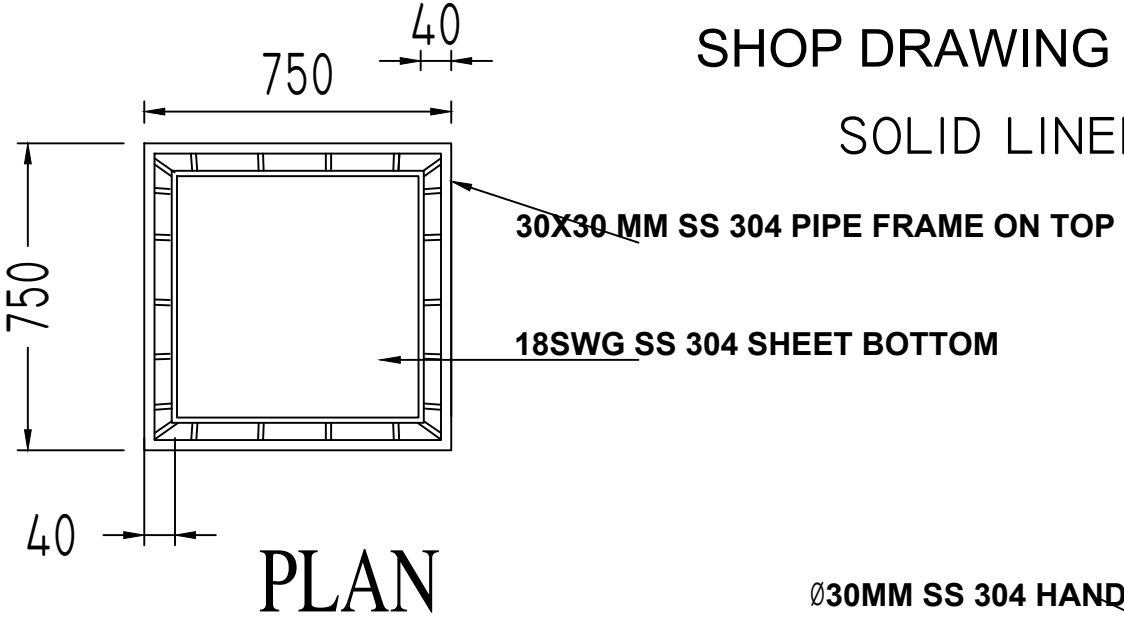


SHOP DRAWING FOR LAUNDRY
SOLID LINEN TROLLEY



ELEVATION

SECTION

ITEM NO L-06. SIZE: L 750X W 750XH800 QTY. 20
ITEM NO L-13. SIZE: L 750X W 750XH800 QTY. 06