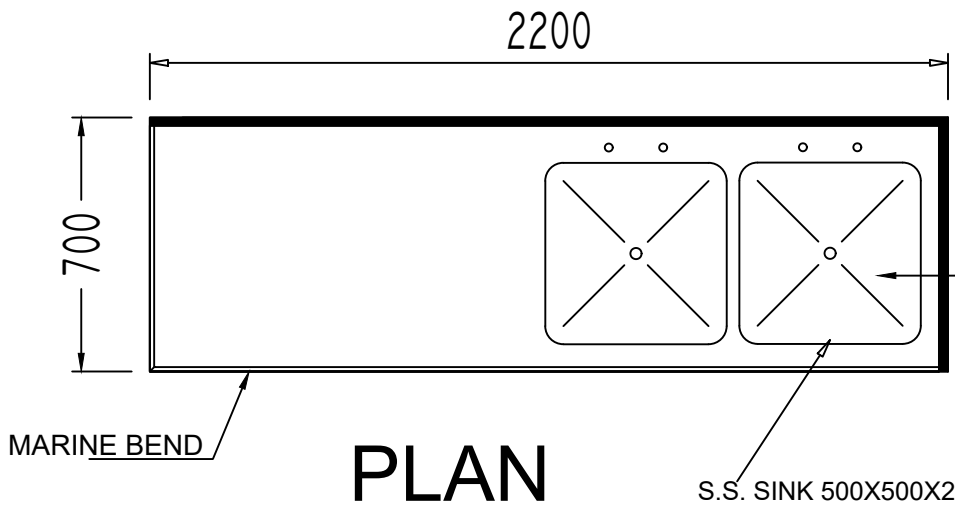


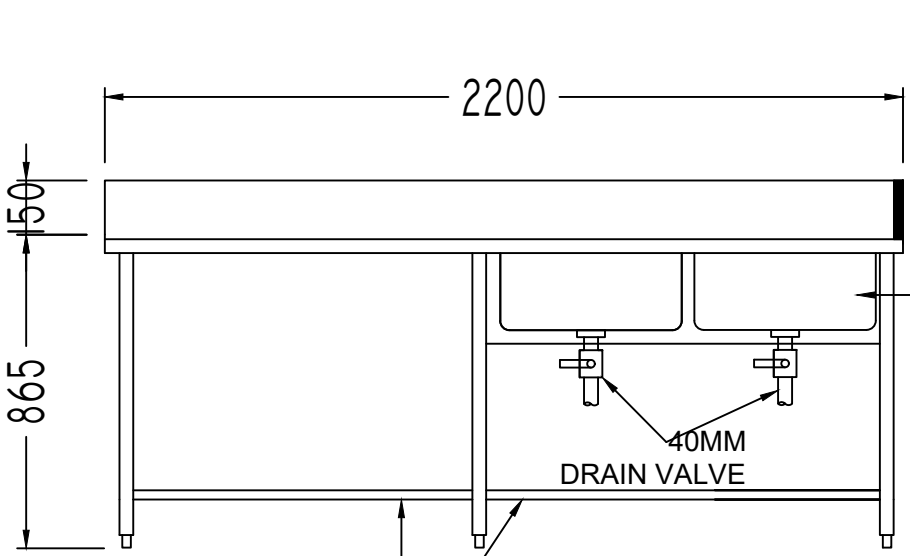
SHOP DRAWING FOR LAUNDRY

DOUBLE SINK UNIT

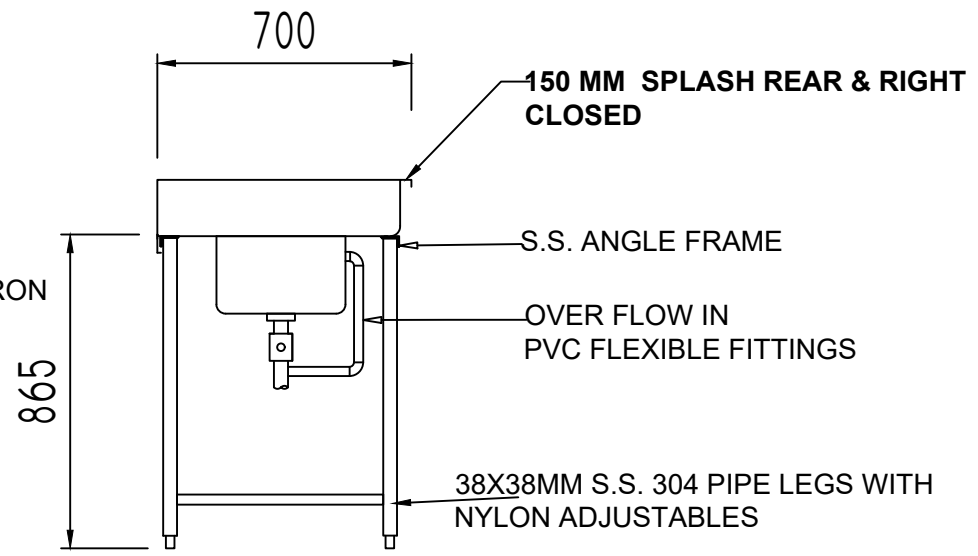
14 SWG. S.S.304 SHEET TOP
FRONT/ SIDES TURNED DN.
50MM IN 12MM, 150 MM REAR
& RIGHT SPLASH



PLAN



ELEVATION



SECTION

ITEM NO, -L- 01, SIZE:. L2200X W700XH865+150 QTY. 01