

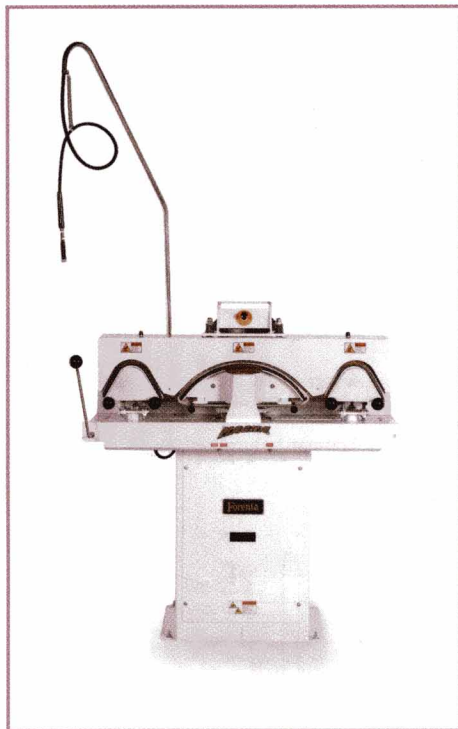
Forenta

Morristown, TN U.S.A.

Collar-Cuff-Yoke Presses

Models 392SCS and 392SCSY

- Designed for pressing cuffs, collar, yoke in one lay
- Newly designed cuff heads and bucks for smaller sleeve gussets
- Automatic and adjustable timed cycle or manually controlled time cycle
- Shirt hanger rod can be placed on right side or left side
- Nickel-plated heads
- Two-hand control operation
- Water spray standard

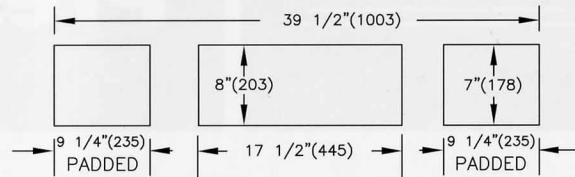


Model 392SCS/392SCSY

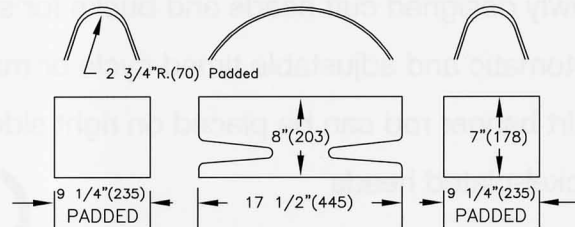
Specifications

Models 392SCS/SCSY

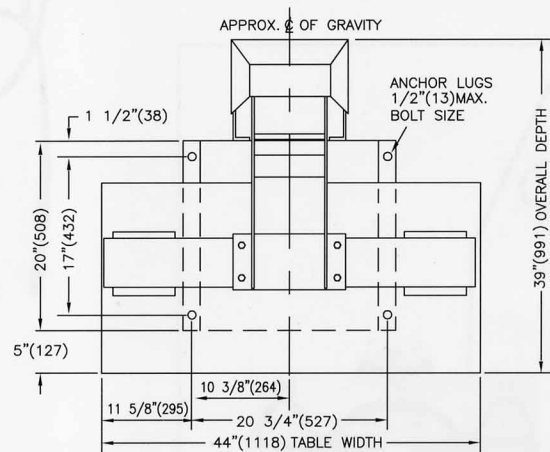
Electrical connections		392SCS SCSY
Voltage	120V 1PH 50/60Hz .5amps	Standard
Voltage	230V 1PH 50/60Hz .25amps	optional
Steam and Air connection		
Steam Inlet	NPT	1/2"
Steam Outlet	NPT	1/2"
Rec. steam pressure	PSIG kPa	110-125 758-861
Steam consumption	BHP kg/hr	1 15.6
Compressed air	NPT	3/8"
Air consumption	free air/cycle free air/cycle	0.8 CU.FT. 27 liters
Rec. air pressure	PSIG kPa	60 414
Water connection	NPT	1/4"
Weight (crated)		
Shipping	lbs kg	708 321
1 Control Push Buttons	4 Steam Outlet connection	
2 Steam connection	5 Electrical Connection	
3 Air connection	6 Water Connection (for water spray only)	



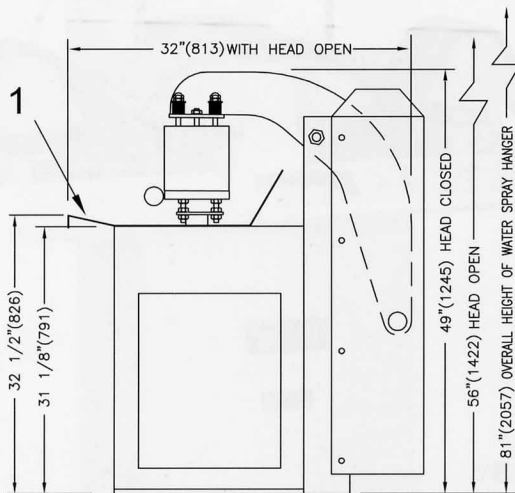
392SCS Buck Dimensions



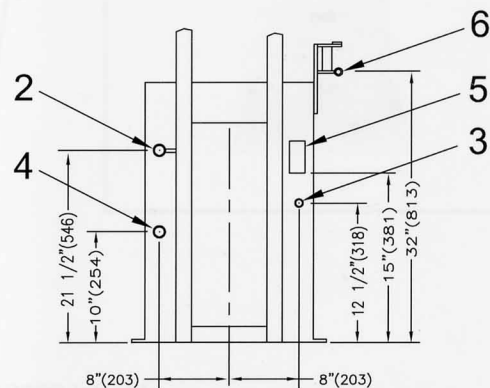
392SCSY Buck Dimensions



Top View



Right Side View



Partial Rear View