



Sandwich Legger Press

Model 471/481/491SA
with K693 or 694



Excellent Finish - Sharp Creases
Finishes Both Pant Legs in One Lay
Press Designed to also Finish other Garments
K-602 Center Leaf Kit available for other "C" Series Leggers
Center Leaf Holds First Leg While Dressing Second Leg
Increases Production up to 50% without Sacrificing Quality
Center Leaf Designed to give Maximum Steam and Vacuum Flow
Center Leaf easily Raises and Lowers; Held in Upward and
Downward Position with a Spring

www.forentausa.com

Tel: 423-586-5370 • Email: info@forentausa.com

Made in USA

Models: 471SA, 481SA & 491SA

Electrical Requirements

Voltage: 100-240VAC, 1PH, 50/60Hz, 0.35-0.19 Amps

Electrical Requirements with optional Built-in Vacuum

Voltage: 110-120VAC, 1PH, 60Hz, 8.4 Amps

Voltage: 220VAC, 1PH, 60Hz, 4.3 Amps

Steam, Air, Vacuum & Water Requirements

Steam Inlet NPT 1/2"

Steam Outlet NPT 1/2"

Rec. steam pressure PSIG 75-85
MPa 0.52-0.59

Steam consumption @ 80psig(552 kPa)

BHP 1.5
kg/hr 23.5
lb/hr 51.8

Compressed air NPT 3/8"

Air consumption free air/cycle at 80psig 0.48 FT³
free air/cycle at 0.55MPa 13.5 liters

Rec. air pressure PSIG 80
MPa 0.55

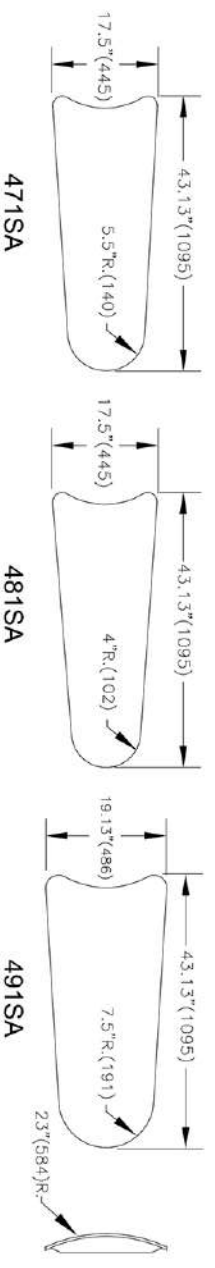
Vacuum Connection NPT 1 1/4"

Water Inlet (for optional water spray) NPT 1/4"

Weight (crated) lbs 740
kg 335

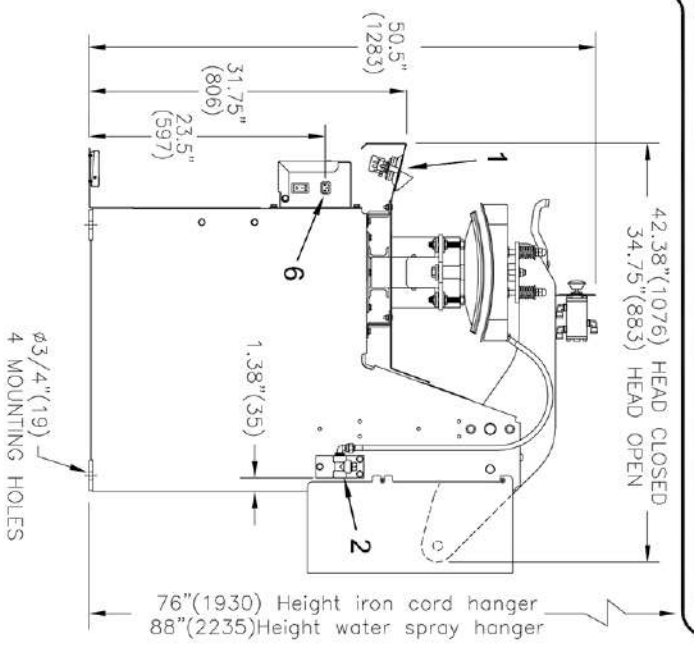
Shipping

BUCK DIMENSIONS (unpadded)

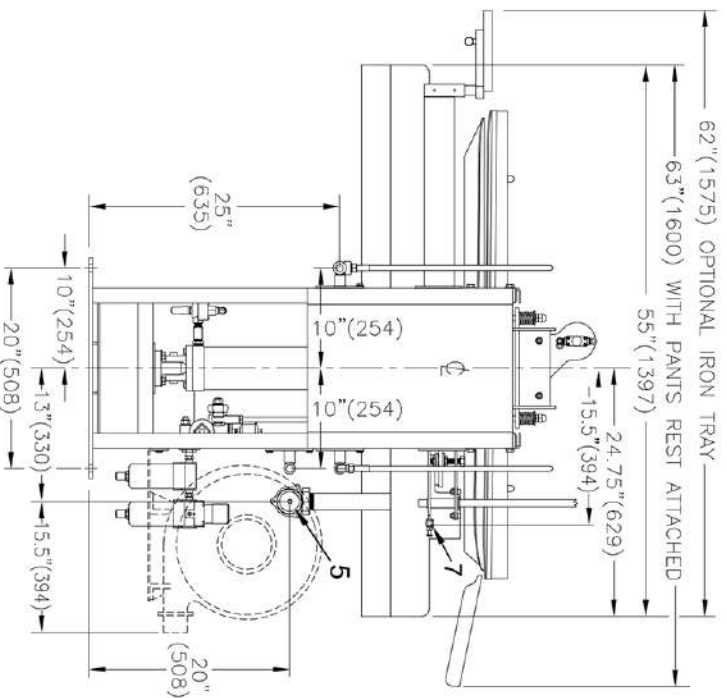


Detail Line Drawing (millimeters shown in parentheses)

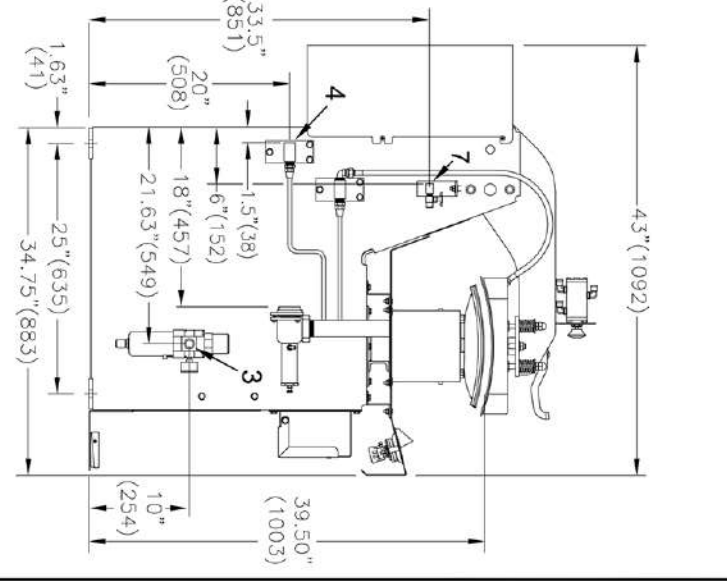
- 1 - Control Push Buttons
- 2 - Steam Inlet connection
- 3 - Air connection
- 4 - Steam Outlet connection
- 5 - Vacuum Connection
- 6 - Electrical Connection (7'6" ~ 3 Prong Electrical Cord)
- 7 - Water Connection (For optional water spray)
- 8 - Optional Built-in Vacuum



RIGHT SIDE VIEW



REAR VIEW



LEFT SIDE VIEW