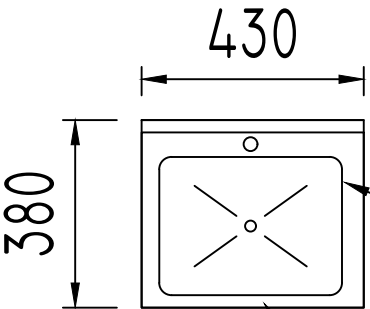


# SHOP DRAWING FOR LAUNDRY

KNEE OPERATED  
HAND WASH SINK

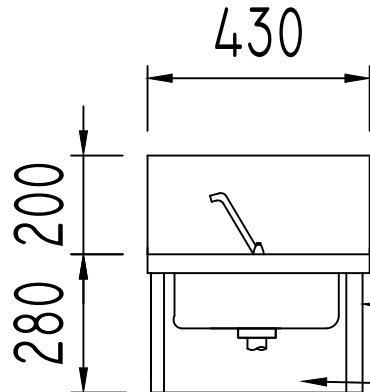


18 SWG. S.S. 304 SHEET TOP/ SINK  
FRONT TURNED DN. 50MM IN 12MM, SIDES  
FLUSHED, 200 MM SPLASH

S.S. 304 SINK 370X280X150 MM

PLAN

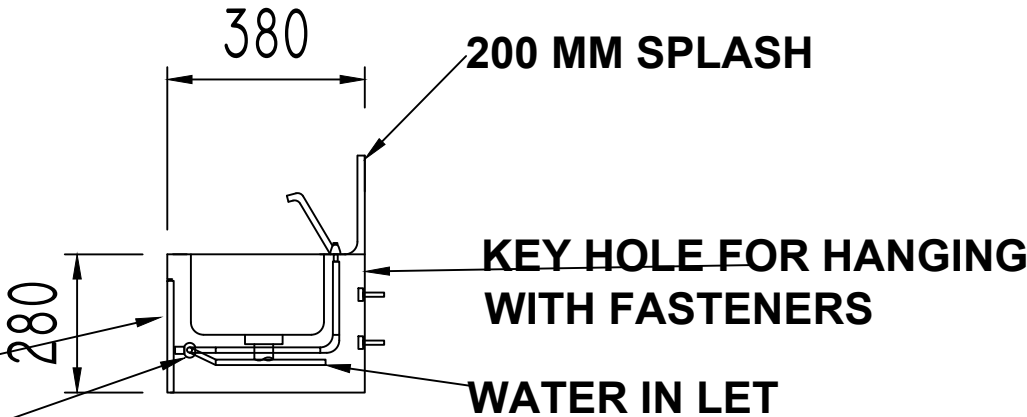
## KNEE OPERATED HAND WASH SINK



S.S. SIDES PANELING 304  
BACK OPEN

S.S. FLAP IN  
FRONT TO PUSH

ELEVATION



200 MM SPLASH

KEY HOLE FOR HANGING  
WITH FASTENERS

WATER IN LET

KNEE OPERATED  
PRESSMATIC VALVE

SECTION

ITEM NO.L-01 SIZE L430XW380X280+200 QTY. 01

ITEM NO.L-37 SIZE L430XW380X280+200 QTY. 01