



SUPERSHINE

.....ONE STOP SOLUTION FOR ALL LAUNDRY NEEDS

VACUUM FINISHING TABLE

Technical Specifications

Model	VFT without Boiler
Size	1200 x 750

OVERALL DIMENSION (APPROX)

Width	Depth	Height
1220 mm	810 mm	1350 mm

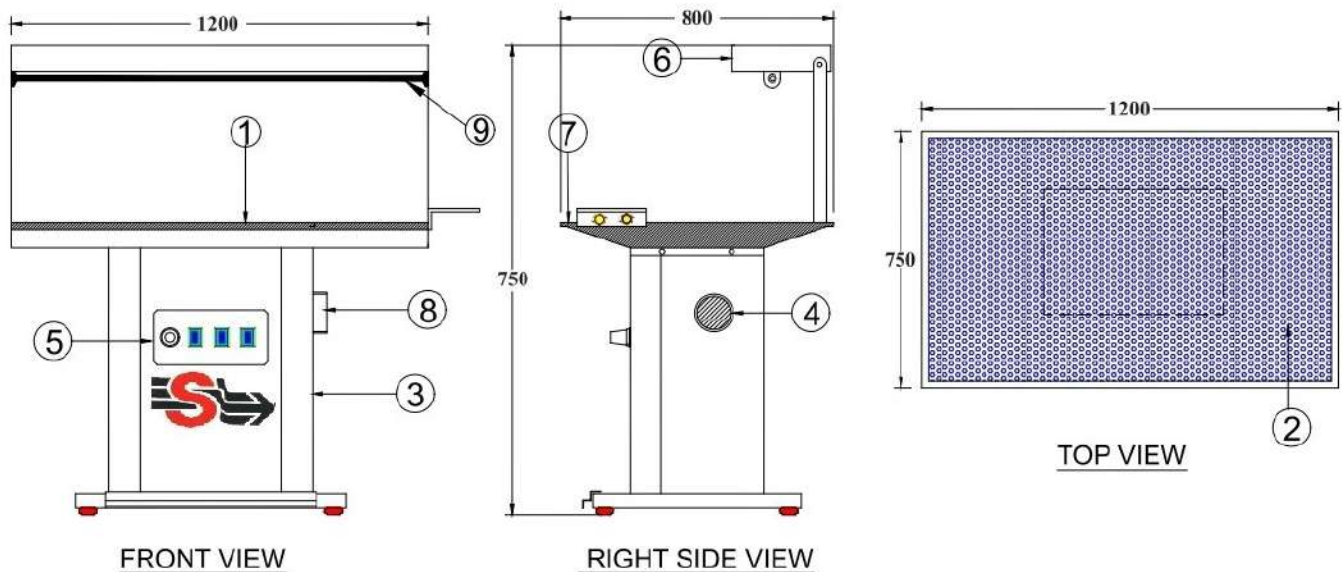
ELECTRICAL

Suction Motor	0.75 KW
Table Heater	1 KW
MCB	20 AMP.
Wiring	3 SQ. mm, Single Phase



- * Electric Steam Iron: Die cast sole plate built in moisture traps, 100% Dry steam, rubberized handle with concealed soft micro switch, thermostatically heated element.
- * Teflon Shoe, Aluminium Armoured & spring loaded.
- * Table Top: M.S. sheet (powder coated) of minimum 1.5 mm thickness perforated flat top padded with high porosity & heat resistant silicon padding & final cover.

- * Main Body: Formed out of steel sheets, Powder Coated painted, all components easily accessible.
- * Suction Blower: Heavy duty 1 HP centrifugal blower driven by independent blower motor activated by spring loaded full length foot pedal work in conjunction with study micro switch.
- * Heater : Full stainless steel in-built heater of minimum 1 KW capacity.
- * Electric Supply: 230 V \pm 10%, Single Phase



SUPERSHINE LAUNDRY SYSTEMS PVT. LTD

Corporate Office: 205, 2nd Floor, Vipul Square, 'B' Block, Sushant Lok-I, Gurgaon-122002 (Haryana) • Tel: +91-124-4807 600 • Fax: +91-124-4807 666

E-mail: north@supershine.in, corporate@supershine.in • Website:www.supershine.in

Regional & Branch Office: • Mumbai: 022-2880 5617, 4022 7333 • Bangalore: 080-6583 5148, 099163 57921 • Chennai: 090031 80088
• Kolkata: 033-4001 1975, 099031 20095 • Hyderabad: 090001 07950 • Ahmedabad: 098985 32321 • Goa: 077383 77505



SUPERSHINE

.....ONE STOP SOLUTION FOR ALL LAUNDRY NEEDS

VACUUM FINISHING TABLE

Technical Specification

Model	VFT In Built Boiler
Size	1200 x 750

OVERALL DIMENSION (APPROX)

Width	Depth	Height
1220 mm	630 mm	900 mm

ELECTRICAL

Suction Motor	0.75 KW
Table Heater	1 KW
MCB	20 AMP.
Boiler Heater	3 KW
Wiring	3 SQ. mm, Single Phase



- * Main Body: Formed out of M.S. sheets/plates (powder coated), shot blasted & hot painted, all components easily accessible.
- * Table top : M.S. plate (powder coated) of minimum 2.5 mm thickness perforated flat top padded with high porosity & heat resistant silicon padding.
- * Suction Blower : Heavy duty 1 HP centrifugal blowers driven by independent blower motor activated by spring (loaded full length foot pedal work in conjunction with study micro switch).
- * Heater : Full stainless steel in-built heater of minimum 1 KW capacity.
- * Heating of Boiler : 3 KW heating element
- * Electric Supply : 230 V \pm 10%, 1 Phase = N, 50 Hz AC

STEAM IRON, ATTACHMENTS & ACCESSORIES:

- * Electric steam iron : Die cast sole plate with minimum 18 nos. built in moisture traps, 100% Dry steam, rubberized handle with concealed soft micro switch, thermostatically heated element.
- * Teflon Shoe, Aluminium Armoured & spring loaded.
- * Steam solenoid valve & steam regulator, inner shell in stainless steel duly insulated, complete metallic broaded Teflon hose for steam inlet & steam with valve, interconnecting can switches & mounting stand.
- * Water Spray (Optional)



SUPERSHINE LAUNDRY SYSTEMS PVT. LTD

Corporate Office: 205, 2nd Floor, Vipul Square, 'B' Block, Sushant Lok-I, Gurgaon-122002 (Haryana) • Tel: +91-124-4807 600 • Fax: +91-124-4807 666

E-mail: north@supershine.in, corporate@supershine.in • Website: www.supershine.in

Regional & Branch Office: • Mumbai: 022-2880 5617, 4022 7333 • Bangalore: 080-6583 5148, 099163 57921 • Chennai: 090031 80088

• Kolkata: 033-4001 1975, 099031 20095 • Hyderabad: 090001 07950 • Ahmedabad: 098985 32321 • Goa: 077383 77505