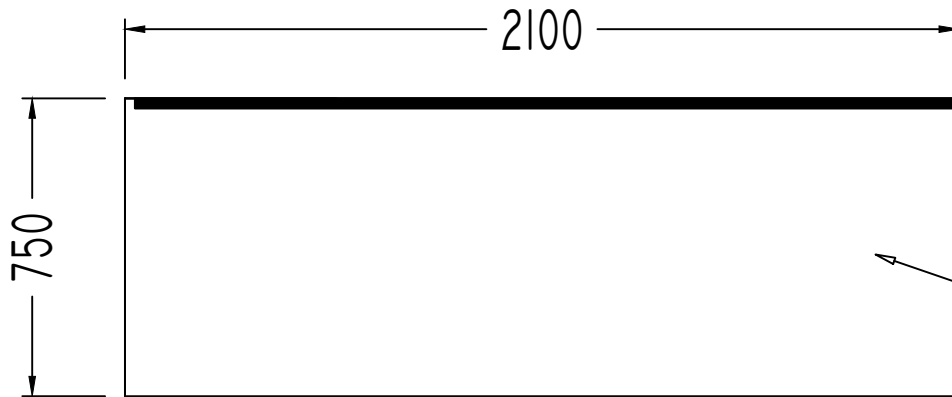


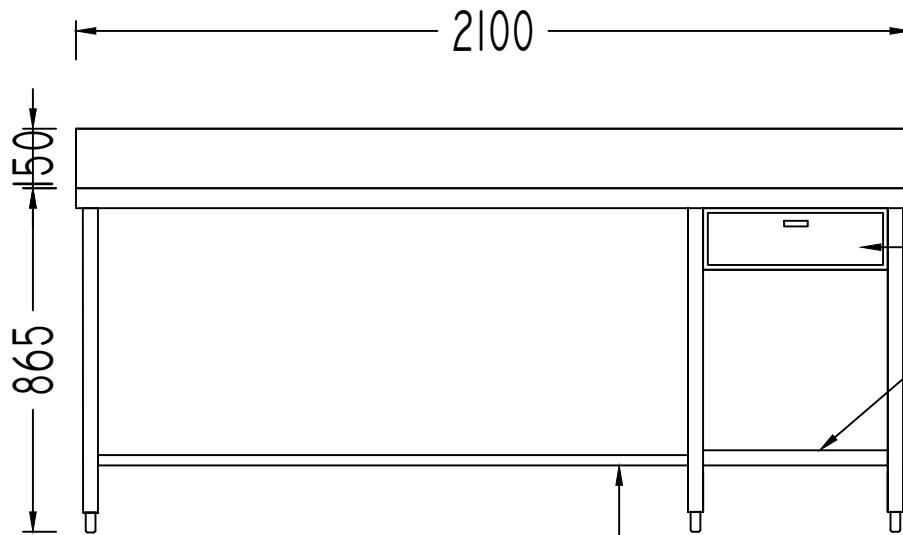
SHOP DRAWING FOR LAUNDRY

WORK TABLE WITH 1NO. DRAWER

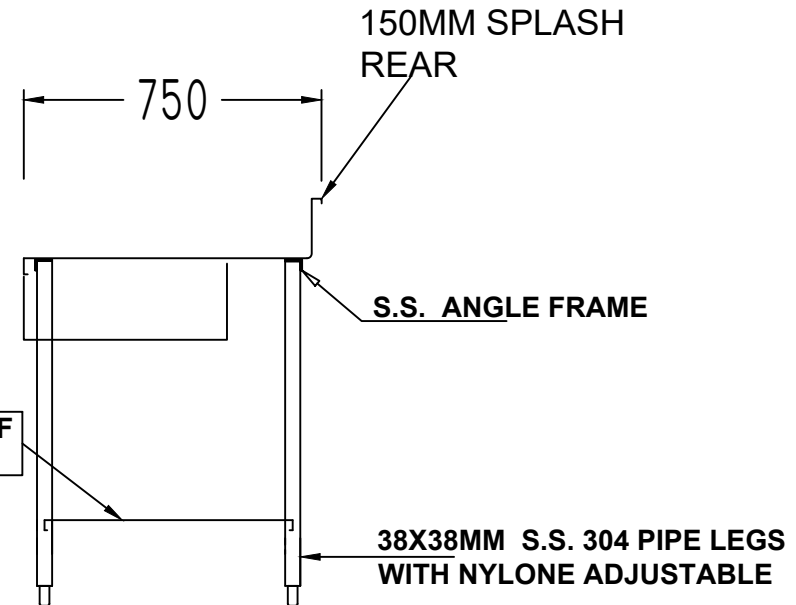


PLAN

16 SWG. S.S. 304 SHEET TOP
FRONT TURNED DN. 50MM IN 12MM ,
150MM SPLASH REAR



ELEVATION



SECTION

ITEM NO L-04 SIZE L2100X750X865+150+L QTY. 01 .