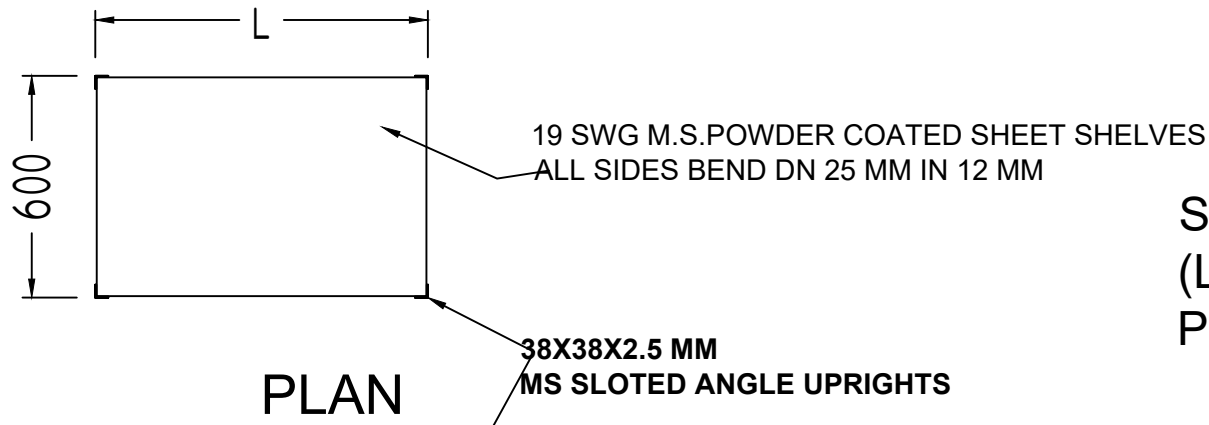
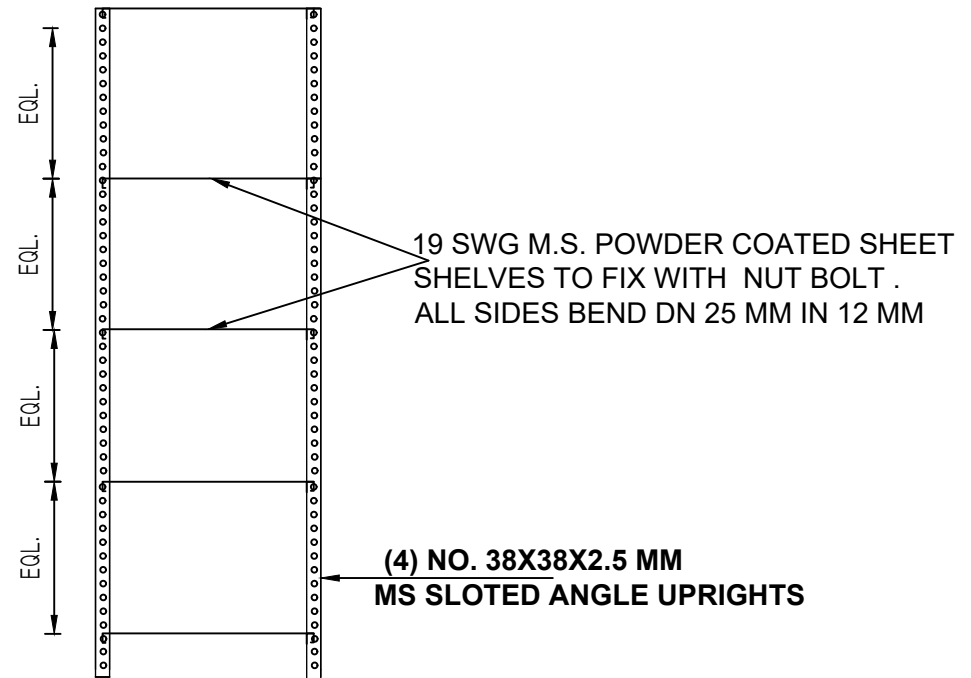
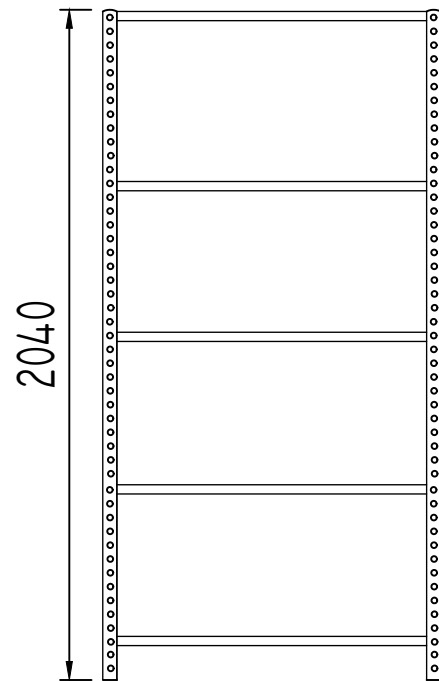


# SHOP DRAWING FOR LAUNDRY



## STORE ROOM SHELVING (LINEN STORE)-MS SLOTTED POWDER COATED RACK



ITEM NO-L-39, L900XW 600XH 2040 QTY. 16 L1175XW 600XH 2040 QTY. 5  
ITEM NO-L-40, L900XW 600XH 2040 QTY. 08 L1060XW 600XH 2040 QTY. 06