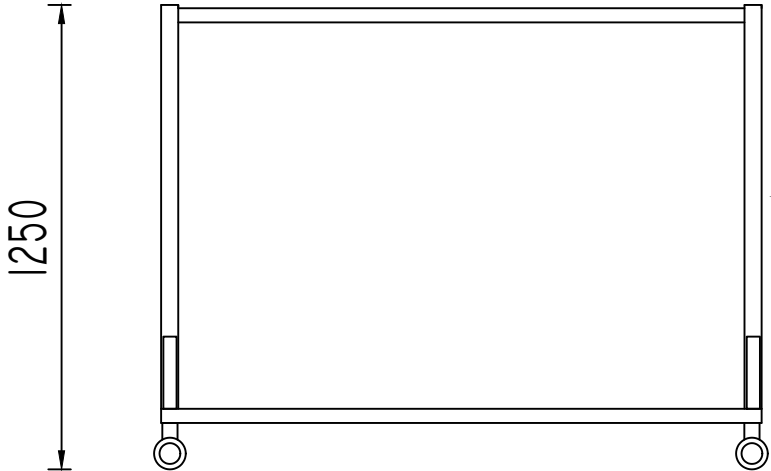
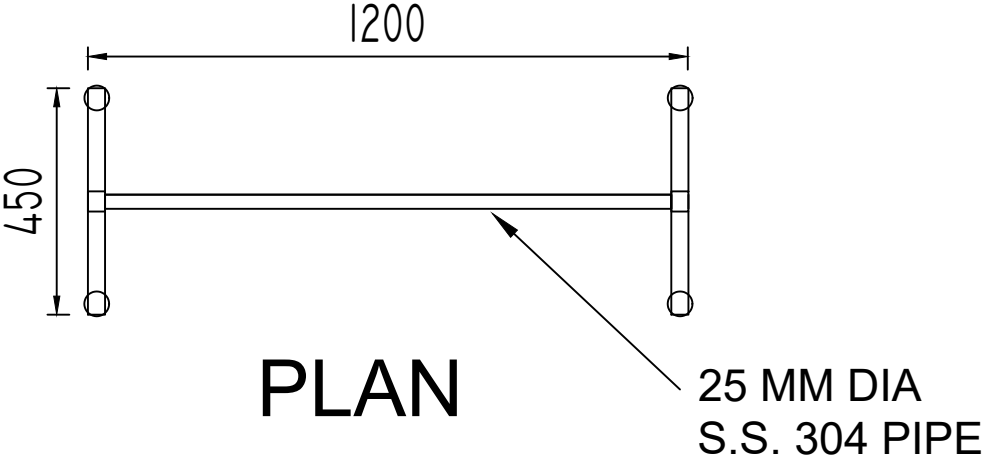
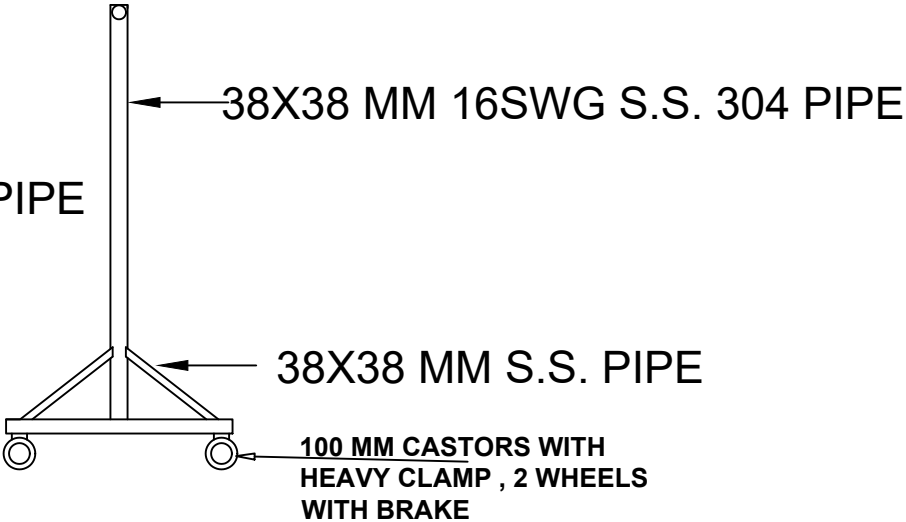


SHOP DRAWING FOR LAUNDRY

MOBILE HANGER TROLLEY



ELEVATION



SECTION

ITEM NO-L-32 L1200XW450XH1250 QTY. 04