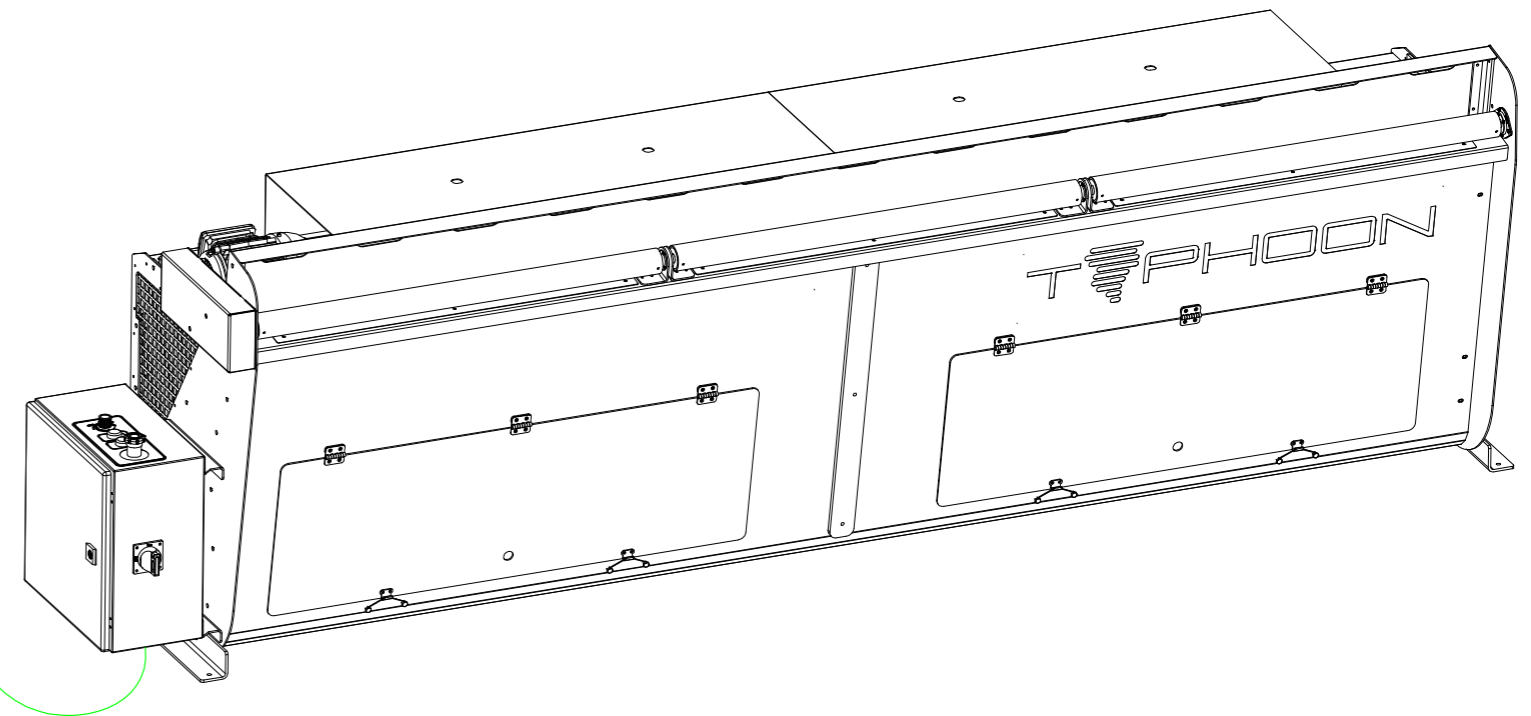
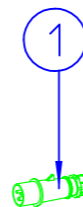
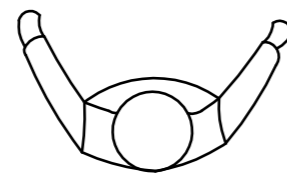
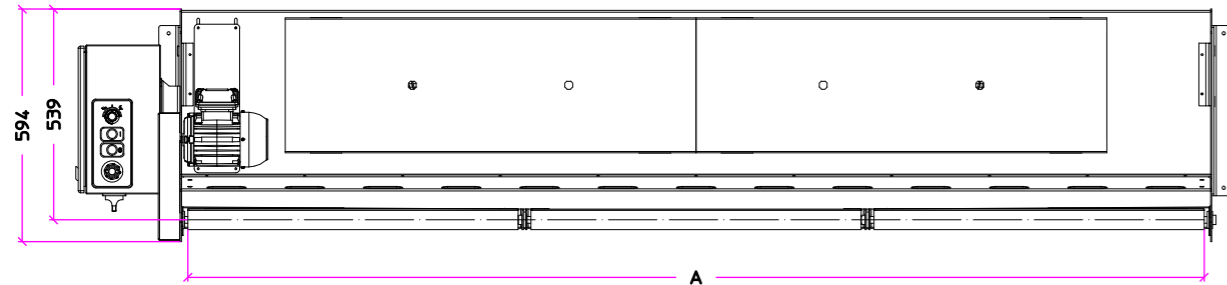


TYPHOON	052.020.0001A
Aandrijfmotor – Moteur entrainement Antriebmotor – Drive motor	0.12kW – 650 rpm.
Ventilatoren – Ventilateurs Fans	L1750: ... x 0.12kW – 1400 rpm. L2000: ... x 0.12kW – 1400 rpm. L2200: ... x 0.12kW – 1400 rpm. L2500: 5 x 0.12kW – 1400 rpm. L3000: ... x 0.12kW – 1400 rpm. L3300: 6 x 0.12kW – 1400 rpm. L3500: ... x 0.12kW – 1400 rpm. L4000: ... x 0.12kW – 1400 rpm.

① Elektrische aansluiting Connection électrique Strom Anschluss Electrical connection	3 x 230V: 3 x 2.5mm ² + PE (16A) 3 x 380V: 3 x 2.5mm ² + N + PE (16A)
--	--



werkbreedte
largeur de travail
working width
Arbeitsbreite

L	A	B	C	Weight	Packed dimensions (L x D x H)	Packed weight
1750	1947	1886	2202	3330 kg	2.4m x 0.7m x 1.0m	3400 kg
2000	2197	2136	2452	3330 kg	2.6m x 0.7m x 1.0m	3400 kg
2200	2397	2336	2652	3700 kg	2.8m x 0.7m x 1.0m	3750 kg
2500	2597	2636	2952	3700 kg	3.1m x 0.7m x 1.0m	3750 kg
3000	3097	3136	3452	4000 kg	3.6m x 0.7m x 1.0m	4050 kg
3300	3397	3436	3752	4200 kg	3.9m x 0.7m x 1.0m	4250 kg
3500	3597	3636	3952	4400 kg	4.1m x 0.7m x 1.0m	4450 kg
4000	4097	4136	4452	4600 kg	4.6m x 0.7m x 1.0m	4650 kg

/// MODIFICATIONS STILL POSSIBLE ///