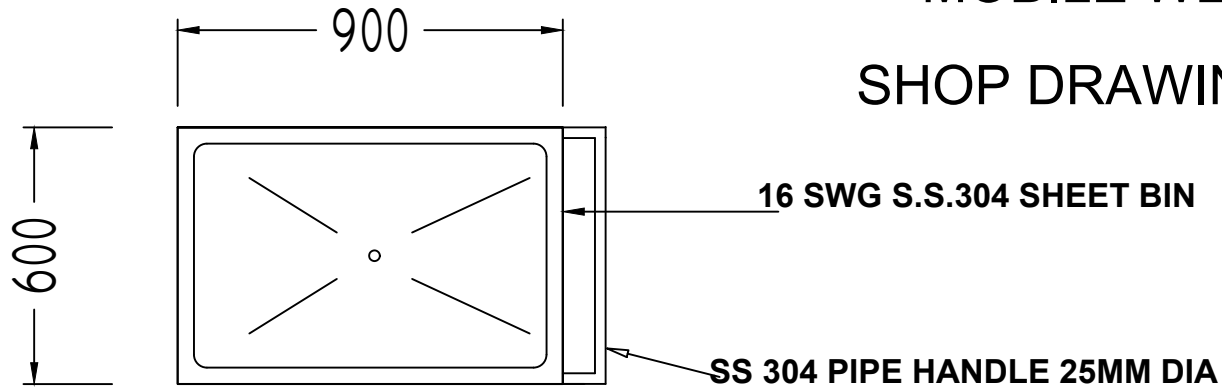
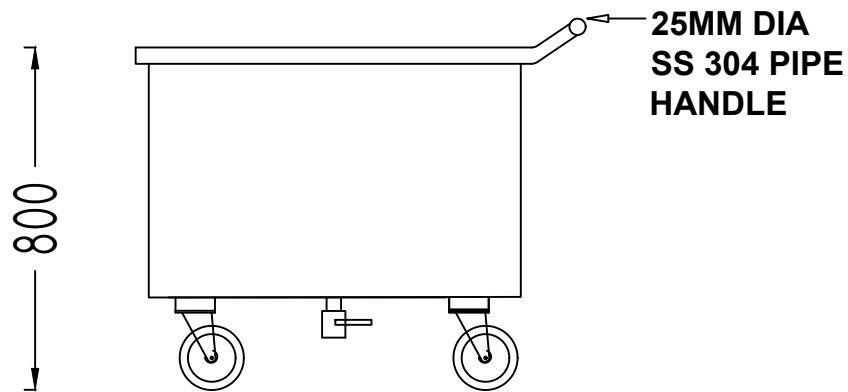


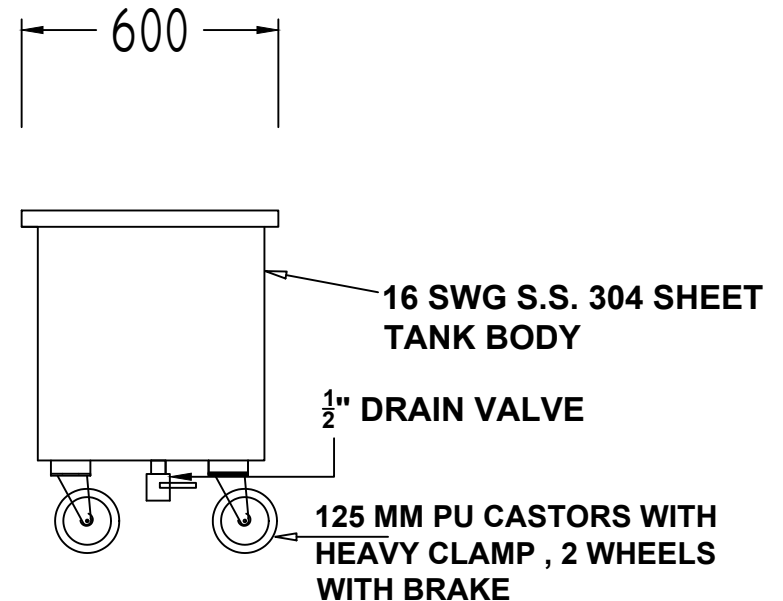
MOBILE WET LINEN TROLLEY SHOP DRAWING FOR LAUNDRY



PLAN



ELEVATION



SECTION

ITEM NO- L-14 , L900XW600XH800 QTY. 10

ITEM NO- L-28 , L900XW600XH800 QTY. 03